

PARTS LIST

MS330

CONTENTS

1· CRANKCASE, INLET VALVE	1 ~ 2
2· DISCHARGE VALVE, PRESSURE REGULATOR VALVE ·	3 ~ 4
3· ACCESSORIES	5 ~ 6

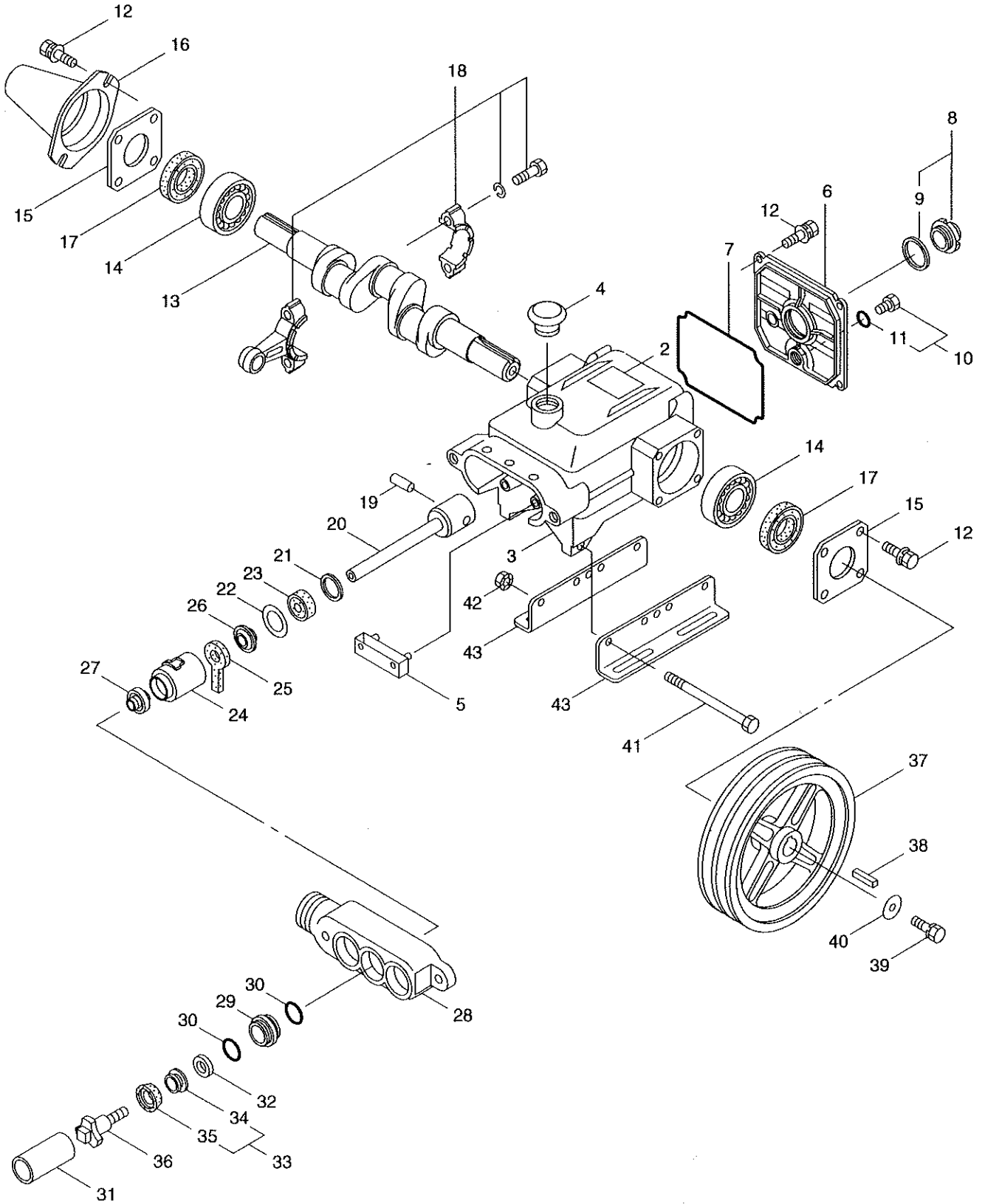
1999.3.



MARUYAMA

P/N 521126

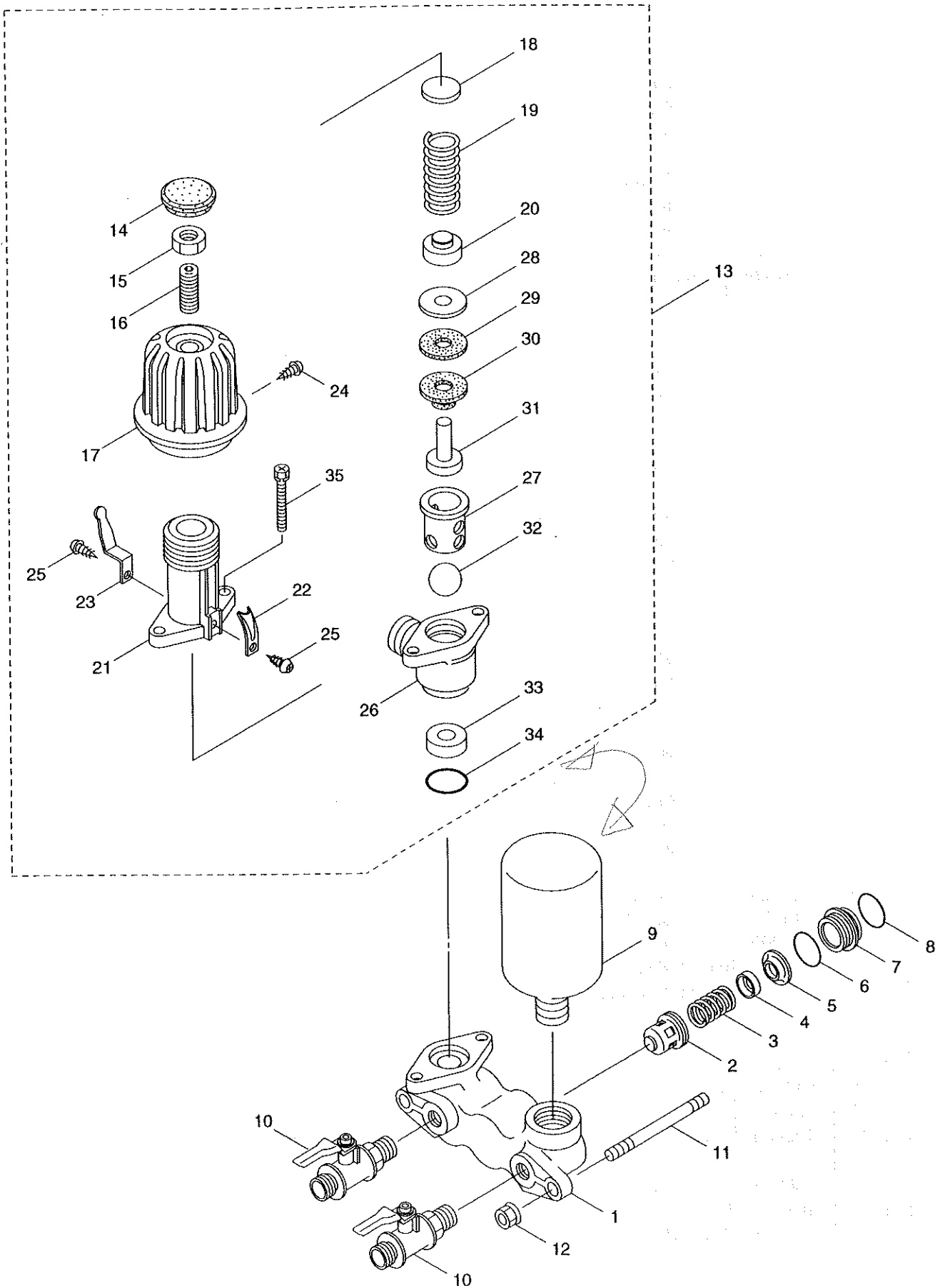
1.MS330 CRANKCASE, INLET VALVE



Ref.No.	Part No.	Part Name	Q'ty	Remarks
1-1	353986	MS330	1	
1-2	119691	Label	1	MS330
1-3	118176	Crankcase	1	
1-4	117420	Oil Filler Cap	1	
1-5	027712	Oil Pan	1	
1-6	118646	Rear Cover, Crankcase	1	
1-7	014041	O-Ring	1	S100
1-8	043987	Oil Gauge	1	
1-9	044428	Packing	1	25x34xt2.5
1-10	091376	Drain Plug	1	Incl.11, PF1/4
1-11	023170	O-Ring	1	P12.5
1-12	092519	Bolt	12	M6x16
1-13	117422	Crankshaft	1	
1-14	014487	Bearing	2	#6304
1-15	117424	Plate	2	
1-16	025130	Shaft Protector	1	
1-17	117423	Oil Seal	2	TC20528
1-18	024139	Connecting Rod Ass'y	3	
1-19	016948	Piston Pin	3	9x22L
1-20	118183	Piston Rod	3	
1-21	020017	Washer	3	17x24xt1.2
1-22	026854	Washer	3	20x28xt1.2
1-23	025461	Oil Seal	3	S10.5247
1-24	117576	Seal Retainer	3	
1-25	027711	Felt Packing	3	
1-26	026853	Packing	3	
1-27	100015	Seal	3	
1-28	027713	Inlet Manifold	1	
1-29	016957	Adapter	3	
1-30	015862	O-Ring	6	P21
1-31	022929	Cylinder Pipe	3	25x28.5x55L
1-32	014122	Inlet Valva Seat	3	6.1x20xt2.8
1-33	091006	Piston Packing Ass'y	3	Incl.34,35
1-34	022930	Inlet Valve	3	
1-35	016958	Piston Packing	3	
1-36	118628	Piston Retainer	3	
1-37	100837	V-Pulley	1	152-Ax2
1-38	014543	Key	1	5x5x25L
1-39	092521	Bolt	1	M8x20
1-40	100836	Washer	1	8.5x30xt3.2
1-41	080275	Bolt	2	M8x115x30
1-42	101804	Nut	2	M8
1-43	117438	Angle Rail	2	

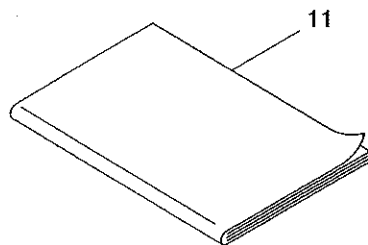
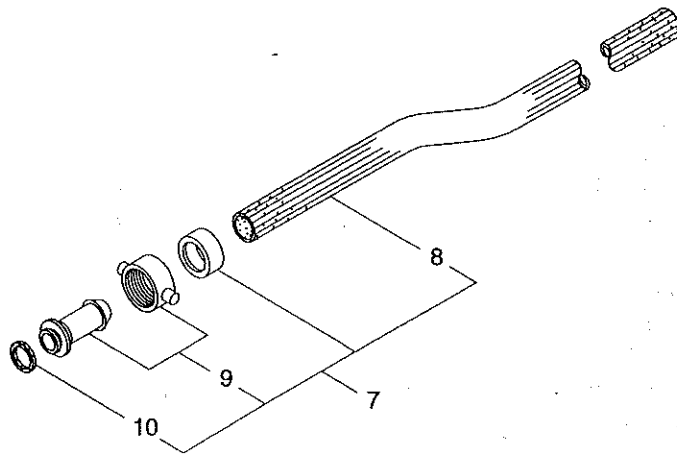
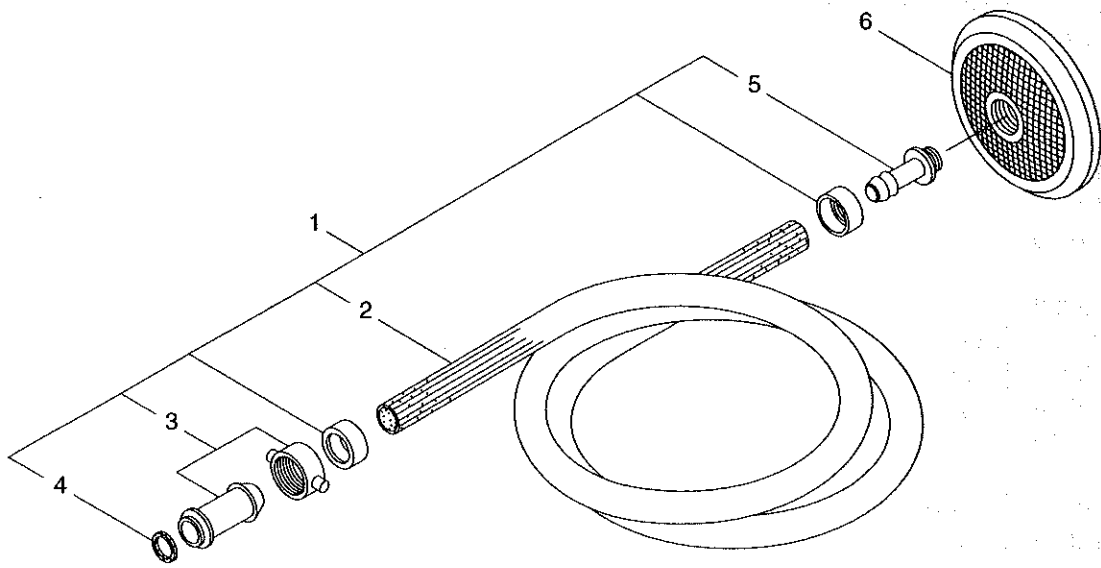
2.MS330

DISCHARGE VALVE,PRESSURE REGULATOR VALVE



Ref.No.	Part No.	Part Name	Q'ty	Remarks
2-1	118233	Discharge Manifold	1	
2-2	022841	Retainer	3	
2-3	022031	Spring	3	
2-4	022842	Discharge Valve	3	
2-5	029487	Discharge Valve Seat	3	
2-6	023172	O-Ring	3	P22
2-7	022931	Adapter	3	
2-8	015862	O-Ring	3	P21
2-9	118246	Air Chamber	1	
2-10	117609	Cock Ass'y	2	PF1/4xPT1/4
2-11	085203	Stud	2	M8x150x11x18
2-12	101804	Nut	2	M8
2-13	118236	Pressure Regulator Valve Ass'y	1	Incl.14-35
2-14	105518	Cap	1	
2-15	084015	Nut	1	M10
2-16	088975	Screw	1	M10x48
2-17	118662	Grip	1	
2-18	019917	Retainer	1	
2-19	105520	Spring	1	
2-20	105521	Retainer	1	
2-21	117448	Case	1	
2-22	117440	Plate	1	
2-23	117441	Indicator	1	
2-24	089899	Tapping Screw	2	M4x13
2-25	082744	Screw	2	M4x6
2-26	118237	Body	1	
2-27	012256	Retainer	1	
2-28	012255	Washer	1	6.2x22xt0.6
2-29	016972	Bellows Packing	1	5x22xt1.5
2-30	011451	Bellows	1	
2-31	016975	Valve Rod	1	
2-32	107238	Valve Ball	1	12.7
2-33	117443	Valve Seat	1	
2-34	014179	O-Ring	1	P20
2-35	118610	Bolt	2	M6x55

3.MS330 ACCESSORIES



Ref.No.	Part No.	Part Name	Q'ty	Remarks
3-1	105936	Suction Hose Ass'y	1	Incl.2-5
3-2	103571	Hose	1	19x1Bx3000
3-3	098010	Hose Coupling	1	PF3/4
3-4	103686	Packing	1	18.5x24xt2
3-5	105937	Hose Coupling	1	PF1
3-6	116682	Suction Strainer Ass'y	1	
3-7	104344	Spill Hose Ass'y	1	Incl.8-10
3-8	104345	Hose	1	13x19x3000
3-9	098009	Hose Coupling	1	PF1/2
3-10	103685	Packing	1	12x18.5xt1.5
3-11	119675	Instruction Manual	1	